

Collection: TULLY

Installation manual for:

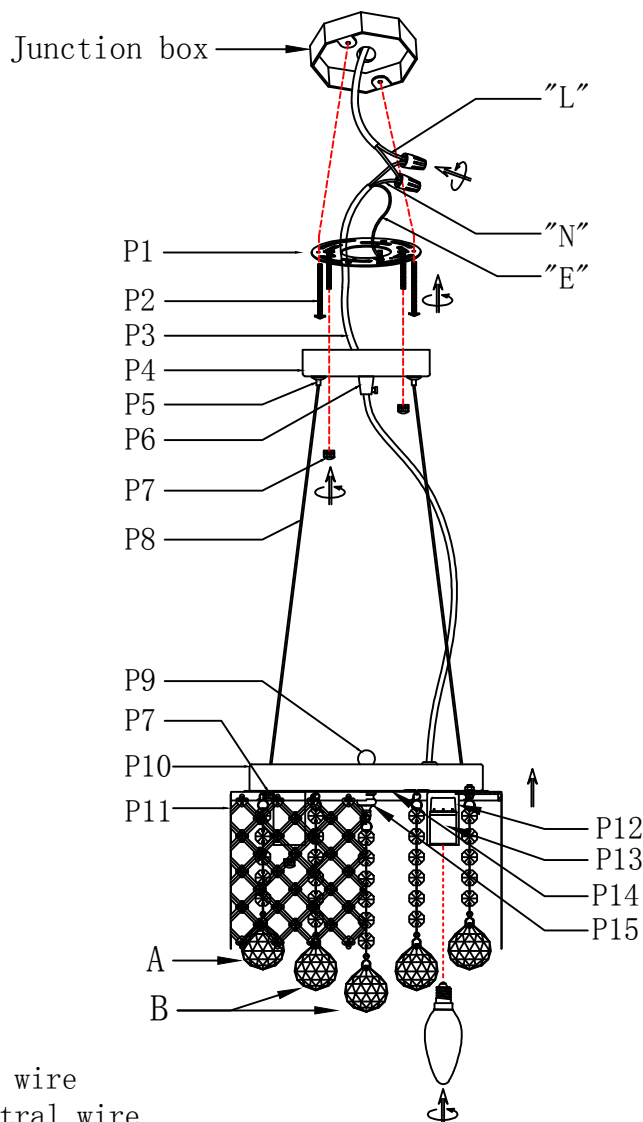
LD520D10 D10"H9.7"L4

Installation instructions:

1. Black wire from ceiling(junction box) attaches to "L" wire from the fixture.
2. White wire from ceiling(junction box) attaches to "N" wire from the fixture.
3. "E" wire from the fixture is attached to the mounting bracket and an additional "E" wire from the mounting bracket must be secured to the junction box.
4. Secure mounting bracket(1) to the junction box by screws(2).
5. Use the finial (P7) to fix the canopy(P4) into the mounting bracket(P1).
6. Hang crystal string (A、B) into canopy (P14、15).
7. Install the E12 bulbs(not included) into the lamp fixture.

The end!

PARTS LIST



part	picture	Description	Qty	Check list
P1		D4" Mounting bracket	1	
P2		5/32-32 Screw	2	
P3		Power Cord 79" 18#	1	
P4		Ø4.7"H1" canopy plat	1	
P5		Steel wire lock	3	
P6		D0.4"H0.67" Tapered metal parts	1	
P7		finial	5	
P8		D0.06"59"Steel wire	3	
P9		finial	1	
P10		Ø8.6"H1" canopy plat	1	
P11		D10"H5.8" metal lampshade	1	
P12		D1.2"H2" metal lampcap	4	
P13		E12 lampholder	4	
P14		Ø9"Round iron sheet	1	
P15		finial	1	
A		RC701-40-CL*1 +RC1050*5-14-CL-C	10	
B		RC701-40-CL*1 +RC1050*6-14-CL-C	6	

"L" = Hot wire
 "N" = Neutral wire
 "E" = Ground wire